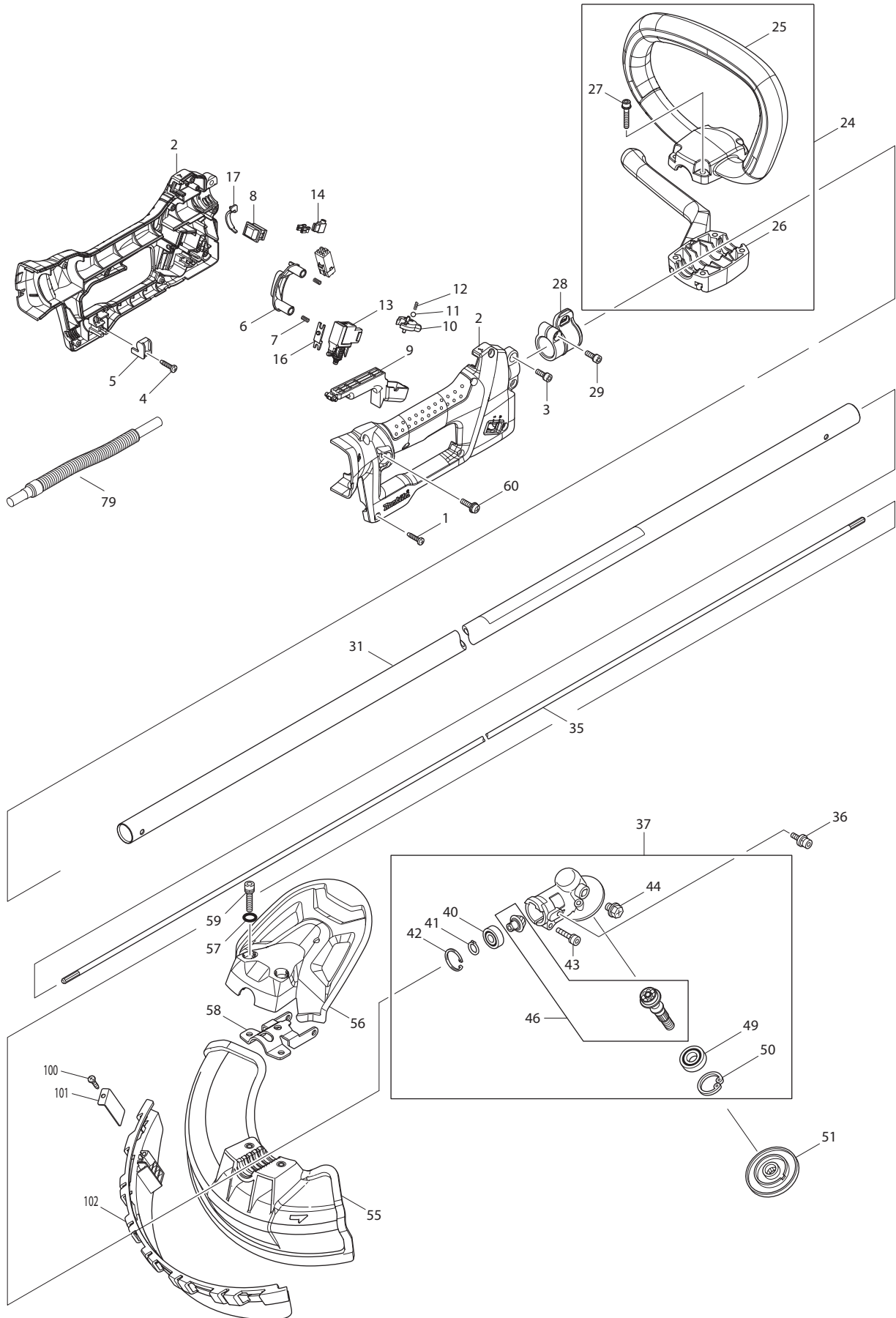
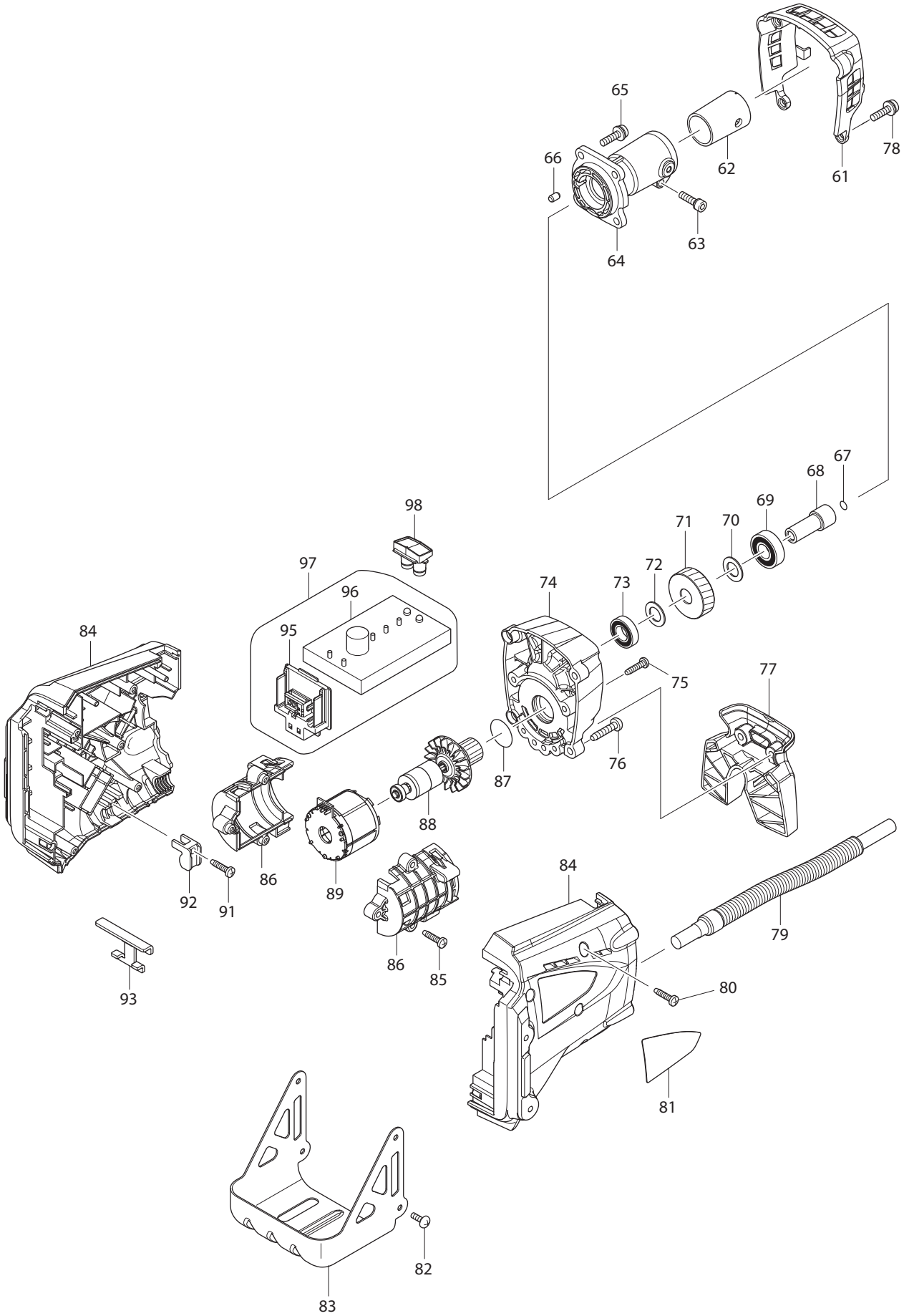




08 - 2010
BBC300L
36V LINE TRIMMER





Item No	Type	Ref	Part No	Description	Qty	Unit
1			265995-6	TAPPING SCREW 4X18	8	PC.
2			188841-5	GRIP SET	1	PC.
3			922228-9	H.S.H.BOLT M5X18 WITH WR	1	PC.
4			265995-6	TAPPING SCREW 4X18	1	PC.
5			687261-5	STRAIN RELIEF	1	PC.
6			451983-1	LOCK OFF BUTTON	1	PC.
7			233054-4	COMPRESSION SPRING 4	2	PC.
8			651533-4	SWITCH SLE6A2-33	1	PC.
9			451984-9	SWITCH LEVER	1	PC.
10			451986-5	INDICATOR	1	PC.
11			216018-3	STEEL BALL 5.0	1	PC.
12			233211-4	COMPRESSION SPRING 2	1	PC.
13			650630-3	SWITCH TGR3-3	1	PC.
14			686015-7	RECEPTACLE SLEEVE	1	PC.
16			451982-3	LINK PLATE	1	PC.
17			451985-7	LEAD COVER	1	PC.
24			195215-3	LOOP HANDLE SET	1	PC.
		INC.	783014-1	SCREW DRIVER 2 (Added)	1	PC.
		INC.		Item No. 25-27		
25			451598-4	LOOP HANDLE 24	1	PC.
26			451599-2	HANDLE CLAMP 24	1	PC.
27			911253-5	PAN HEAD SCREW M5X30	4	PC.
28			168478-4	HANGER	1	PC.
29			922228-9	H.S.H.BOLT M5X18 WITH WR	1	PC.
31			140515-6	* SHAFT PIPE COMPLETE	1	PC.
		INC.	819512-0	* CAUTION LABEL	1	PC.
		INC.	808723-2	* CAUTION LABEL (Added)	1	PC.
35			325812-3	SHAFT	1	PC.
36			922218-2	H.S.H.BOLT M5X14 WITH WR	2	PC.
37	1		125791-3	GEAR CASE ASSEMBLY	1	PC.
		INC.		Item No. 40-44,46,49,50		
	2		125556-3	GEAR CASE ASSEMBLY	1	PC.
		INC.		Item No. 40-44, 46, 49-51, 105-107		
40			210049-4	BALL BEARING 609ZZ	1	PC.
41			961005-4	RETAINING RING S-9	1	PC.
42			962103-7	RETAINING RING R-24	1	PC.
43			922241-7	HEX. SOCKET HEAD BOLT M5X25	1	PC.
44			265590-2	+HEX.BOLT M8X10 WITH R	1	PC.
46	1		188902-1	CUTTER SHAFT SET	1	PC.
		INC.	227552-8	SPIRAL BEVEL GEAR 19 - N/A individually	1	PC.
		INC.	325676-5	CUTTER SHAFT - N/A individually	1	PC.
		INC.	211019-6	BALL BEARING 626	1	PC.
		INC.	227551-0	SPIRAL BEVEL GEAR 14 - N/A individually	1	PC.
	2		183A00-2	CUTTER SHAFT SET	1	PC.
		INC.	142395-6	CUTTER SHAFT COMPLETE- N/A individually	1	PC.
		INC.	211019-6	BALL BEARING 626	1	PC.
		INC.	227571-4	SPIRAL BEVEL GEAR 14 - N/A individually	1	PC.
49			210115-7	BALL BEARING 6001LLU	1	PC.
50			962106-1	RETAINING RING R-28	1	PC.
51			331861-0	RECEIVE WASHER	1	PC.
55			451566-7	PROTECTOR	1	PC.
56			451565-9	PROTECTOR COVER	1	PC.
57			213105-9	O RING 11	2	PC.
58			346073-2	PROTECTOR CLAMP	1	PC.
59			922353-6	HEX.SOCKET HEAD BOLT M6X30	2	PC.
60			911233-1	PAN HEAD SCREW M5X20	1	PC.
61			451981-5	GEAR BOX COVER	1	PC.
62			424307-4	PIPE RUBBER	1	PC.
63			922231-0	HEX. SOCKET HEAD BOLT M5X20	1	PC.
64			318560-1	PIPE BRACKET	1	PC.
65			911233-1	PAN HEAD SCREW M5X20	4	PC.

Item No	Type	Ref	Part No	Description	Qty	Unit
66			263002-9	RUBBER PIN 4	1	PC.
67			213045-1	O-RING 6	1	PC.
68			325811-5	SPINDLE HUB	1	PC.
69			211148-5	BALL BEARING 6001ZZ	1	PC.
70			253744-3	FLAT WASHER 12	1	PC.
71			227720-3	HELICAL GEAR 33	1	PC.
72			253744-3	FLAT WASHER 12	1	PC.
73			211150-8	BALL BEARING 6901ZZ	1	PC.
74			318559-6	GEAR BOX	1	PC.
75			265995-6	TAPPING SCREW 4X18	4	PC.
76			266041-8	TAPPING SCREW 5X25	4	PC.
77			451572-2	STAND	1	PC.
78			911233-1	PAN HEAD SCREW M5X20	2	PC.
79			699047-5	POWER SUPPLY CORD UNIT	1	PC.
80			265995-6	TAPPING SCREW 4X18	5	PC.
81			867948-7	BBC300L NAME PLATE	1	PC.
82			251314-2	+ SCREW M4X12	4	PC.
83			346194-0	BATTERY GUARD	1	PC.
84	1		188836-8	* HOUSING SET	1	PC.
	2		183A74-3	* HOUSING SET	1	PC.
	3		183C17-7	* HOUSING SET	1	PC.
85			265995-6	TAPPING SCREW 4X18	3	PC.
86			188838-4	MOTOR HOUSING SET	1	PC.
87			213961-7	O RING 22	1	PC.
88			619254-4	ROTOR	1	PC.
89			629880-1	STATOR	1	PC.
91			265995-6	TAPPING SCREW 4X18	1	PC.
92			687261-5	STRAIN RELIEF	1	PC.
93			346039-2	SUPPORT PLATE	1	PC.
95			643849-1	* TERMINAL	1	PC.
96	1		631942-3	* CONTROLLER (W/O FUSE)	1	PC.
	2		620018-1	* CONTROLLER (W/ FUSE *Fuse is N/A as individually)	1	PC.
	3		620498-1	* CONTROLLER (W/FUSE *Fuse is N/A individually)	1	PC.
97	1		631941-5	* CONTROLLER COMPLETE (W/O FUSE)	1	PC.
				Item No. 95, 96	1	PC.
	2		620019-9	* CONTROLLER COMPLETE (W/FUSE *Fuse is N/A individually)	1	PC.
				Item No. 95, 96	1	PC.
98			140285-7	INDICATION PLATE COMPLETE	1	PC.
100			265995-6	TAPPING SCREW 4X18	1	PC.
101			346280-7	CUTTER	1	PC.
102			140583-9	PROTECTOR EXTENSION COMPLETE	1	PC.
	INC.		891041-5	INDICATION LABEL	1	PC.
103			451601-1	* SPACER 24 (Added)	1	PC.
105			168526-9	CUP	1	PC.
106			264025-0	HEX. NUT M10-17	1	PC.
107			346084-7	CLAMP WASHER	1	PC.

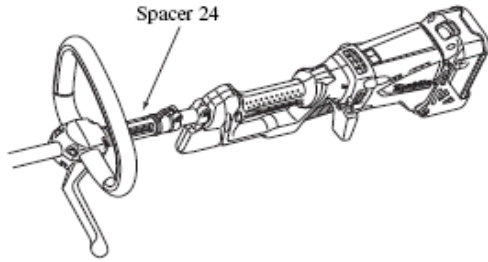
Item No	Type	Ref	Part No	Description	Qty	Unit
ACCESSORIES						
- See catalogue or visit www.makita.ca for more optional accessories -						
A01			195149-0	* BUMP&FEED TRIMMER HEAD 4	1	PC.
		INC.	141181-2	* HOUSING COM	1	PC.
		INC.	318815-4	* NUT 10	1	PC.
		INC.	453227-5	* COVER	1	PC.
		INC.	234229-8	* COMPRESSION SPRING 13	1	PC.
		INC.	453228-3	* BOBBIN	1	PC.
		INC.	318816-2	* EYE LET	2	PC.
A02			125516-5	BAND ASSEMBLY	1	PC.
A06			782210-8	SOCKET WRENCH 17	1	PC.
A07			783202-0	HEX. WRENCH 4	1	PC.
A08			783217-7	HEX. WRENCH 5	1	PC.
A09			831304-7	ACCESSORY BAG	1	PC.
A10			DC36RA	FAST CHARGER DC36RA	1	PC.
A11			194874-0	36V LI-ION BATTERY BL3626	1	PC.
A12			194960-7	BATTERY ADAPTOR BAP36 - See Parts Breakdown 194960-7	1	PC.
A13			B-02951	TRIMMER HEAD, MANUAL (Component parts are not available)	1	PC.
A15	1		195850-7	18V to 36V BATTERY CONVERTER BCV02	1	PC.
	2		196810-2	18V to 36V BATTERY CONVERTER BCV03	1	PC.
A16			197472-9	NYLON CORD 2.0-15M	1	PC.

SERVICE CHANGES

1. Addition of Spacer 24

(T/I# 88723)

Item No.	Description	Type 1	Type 2
103	Spacer 24	-----	451601-1

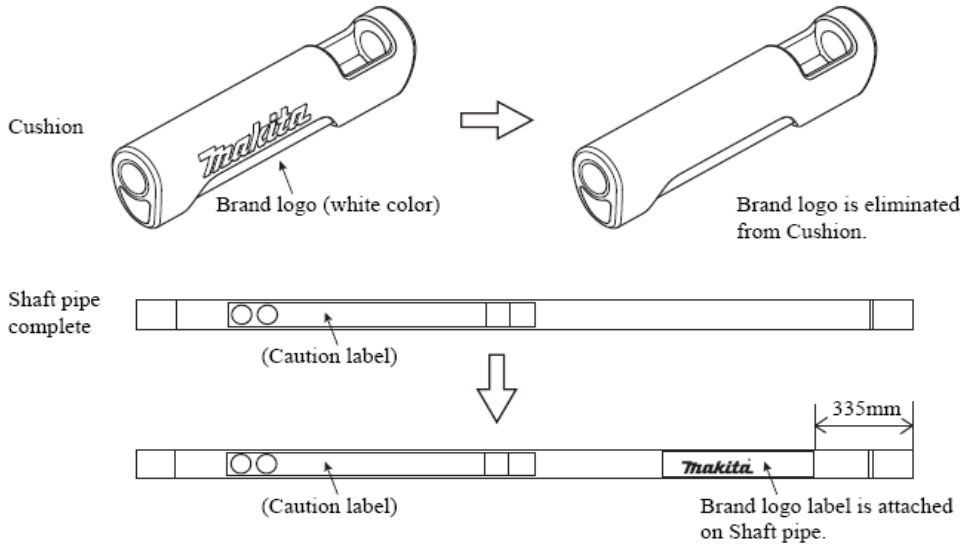


2. Changes on Cushion and Shaft pipe com.

(T/I# 90953)

Item No.	Description	Type 1	Type 2
31	Shaft Pipe Com	140515-6	141095-5
-	Makita Logo Label	-----	819312-8

Above parts are completely interchangeable as a set.



3. Addition of Components of Bump & Feed Trimmer Head

(T/I# 91670)

Item No.	Description
A01	Bump & Feed Trimmer Head

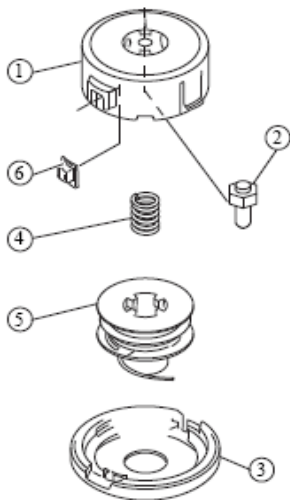


Image No.	Part No.	Description
1	141181-2	HOUSING COM
2	318815-4	NUT 10
3	453227-5	COVER
4	234229-8	COMPRESSION SPRIN
5	453228-3	BOBBIN
6	318816-2	EYE LET

4. Changes on Cushion and Housing set and Controller complete

(TI#A7479,88632)

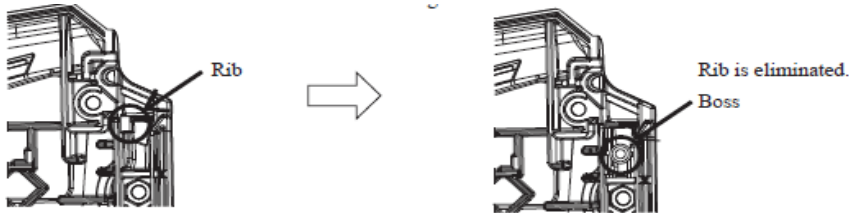
(TI#B0032)

Item No.	Description	Type 1	Type 2	Type 3
84	Housing Set	188836-8	183A74-3	183C17-7
96	Controller	631942-3	620018-1	620498-1
95	Terminal	643849-1		
97	Controller Complete	631941-5	620019-9	620499-9 (N/A)

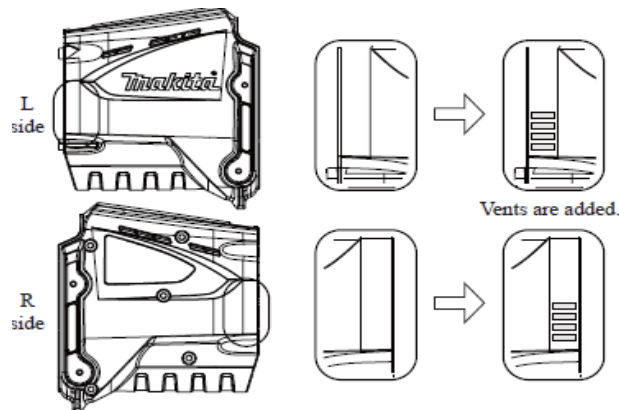
Type 2 => Type 3 Item no. 84, 96 are completely interchangeable as a set

Item no. 97 = Item no. 95+96

Housing Type 1 => Type 2



Housing Type 2 => Type 3



Controller Type 1 => Type 2

***Change without Fuse to with Fuse, Fuse is not available individually

The fuse has to be put in space designated in the following figure.

